

Nothing is more libertarian than  
**FLAMETHROWERS FOR THE PEOPLE!!!**

Toby Leonard, the owner of Mankato Guns, is donating  
an Exothermic Pulsefire Long Range torch flamethrower

Runs on gasoline

(but you can mix it up to 50% diesel fuel for a hotter, longer flame)



Check out the review video: <https://www.youtube.com/watch?v=FGTx71b2wOk>

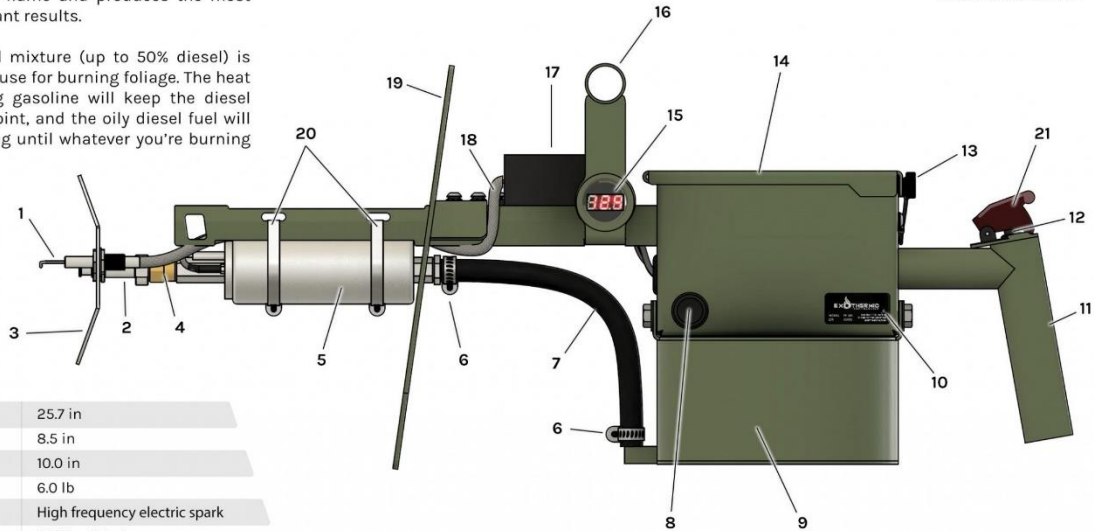
Or check out how to streamline landscaping with this video: <https://exothermic.tech/product/pulsefire-lrt/>

**COMPATIBLE FUEL**

**Gasoline** (unleaded, any octane) will produce a bright hot flashy flame and produces the most reliable and brilliant results.

A **gasoline-diesel** mixture (up to 50% diesel) is what you want to use for burning foliage. The heat from the burning gasoline will keep the diesel above its flash point, and the oily diesel fuel will keep the fire going until whatever you're burning is toast.

**PULSEFIRE**<sup>®</sup>  
LONG RANGE TORCH



Length	25.7 in
Width	8.5 in
Height	10.0 in
Weight	6.0 lb
Ignition	High frequency electric spark
Default Nozzle	.072" solid stream
Typical Reach	≥ 25 ft*
Fuel Capacity	0.35 gal
Compatible Fuel	Gasoline, gasoline-diesel mixture
Primary Materials	Aluminum, Viton, brass
Finish	Powder coat
Battery	2200 mAh 3-cell rechargeable lithium

- 1. Electrode
- 2. Nozzle
- 3. Nozzle drip shield
- 4. Check valve
- 5. Fuel pump
- 6. Hose clamp
- 7. Hose
- 8. Power switch
- 9. Fuel tank
- 10. Serial number label
- 11. Rear handle
- 12. Trigger switch
- 13. Thumb screw
- 14. Lid
- 15. Voltage gauge
- 16. Front handle
- 17. Arc ignition box
- 18. High voltage wires
- 19. Heat shield
- 20. Fuel pump clamps
- 21. Trigger switch cover

\*under ideal conditions

For more information, check out Exothermic's site: <https://exothermic.tech/product/pulsefire-lrt/>

Donated by Toby Leonard, owner of Mankato Gun's

# MANKATO GUNS



- Conceal and Carry Classes
- New and Used Firearms
- Silencers and Body Armor



[WWW.MANKATOGUNS.COM](http://WWW.MANKATOGUNS.COM)